

JVC[®]

The Perfect Experience / —

Procision

DLA-HD990

Full HD D-ILA Front Projector

D-ILA[®]

Full HD
1920x1080



70,000:1

Projector Performance at Its Highest Possible Level.

Extraordinary Picture Quality

- Industry's highest native contrast ratio: **70,000:1***
- 120Hz Clear Motion Drive
- Inverse telecine (reverse 2-3 pulldown)

Fine-tuned for Image Perfection

- JVC original picture modes
- Color Management
- Screen adjustment mode
- High-performance 2x motorized zoom lens with 16-step aperture
- HQV Reon-VX video processor

Industry Certifications

- Certified by ISF (Imaging Science Foundation)
- Certified by THX

Optimum Flexibility and Convenience

- Newly designed remote controller
- Quiet operation: Only 19dB
- V: 80%/H: 34% motorized lens shift
- Motorized lens cover
- 3 Year parts and labor warranty

* For home projectors as of August 2009.

■ Incredible native contrast ratio: 70,000:1

The DLA-HD990 D-ILA front projector incorporates a number of advanced technologies such as JVC's proprietary D-ILA device, a wire-grid optical engine, and high-performance lens with a fixed aperture to help eliminate unnecessary light that can lower contrast levels to make possible a high native contrast ratio of 70,000:1. Enhanced brightness and deeper, richer blacks make the DLA-HD990 ideal for viewing diverse content, from movies and music videos to live concert performances and sports programs.

■ 120Hz Clear Motion Drive

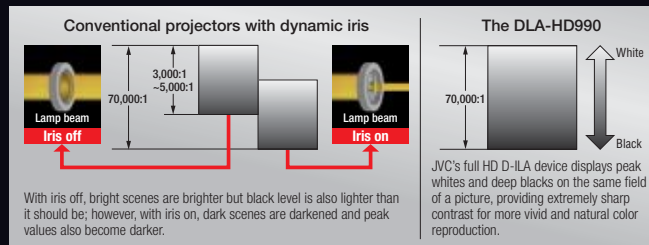
120Hz Clear Motion Drive's high-precision interpolation algorithm enhances the precision of picture-character detection to generate an accurate intermediate frame even for images with rapid movement. Whether broadcasting signal or movie content, viewers can enjoy smoother and clearer images with reduced motion blurring thanks to this unique interpolation technique that optimizes the number of frames.

■ Inverse telecine (reverse 2-3 pulldown)

To display TV broadcasts or commercially available DVDs created using the 2-3 pulldown process, the inverse telecine function re-converts the video source back to a 24fps signal and displays it at double speed or 48 fps, ensuring cinema-like viewing faithful to the original source.

■ JVC's original picture modes

Detailed analysis of the additive color mixture method for projectors and the subtractive color mixture method for film in movie theaters made possible an optimized picture display using a built-in LSI that reproduces all the delicate textures and nuances of film in a home theater environment.



■ Screen adjustment mode

As the quality of projected images varies depending on the type of screen and its RGB reflective characteristics, JVC D-ILA projectors have three screen adjustment modes that enable users to select the optimum mode to match screen characteristics for more natural and balanced color reproduction.

■ Notable industry certifications

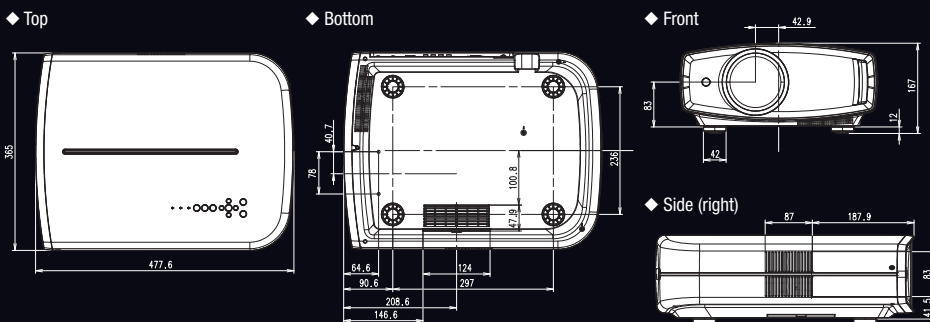
• ISF (Imaging Science Foundation)

The DLA-HD990 has been licensed with the ISF C³ (Certified Calibration Controls) mode, enabling trained dealers to professionally calibrate it to specific screen surfaces, lighting environments, and video sources. These precise settings are then stored into the projector to ensure reproduction of film or video content accurate to the source and excellent picture quality in all viewing situations.



• THX

The DLA-HD990 has passed the THX Certified Display Program — a series of tests conducted on display devices to verify the high-definition display performance that home theater enthusiasts demand today, ensuring that the projector will always deliver superb picture quality faithful to the source.



■ Optional Accessory



User-replaceable Lamp
BHL5010-S

■ Terminals on the side



■ Projection distance chart

Screen diagonal (in.)	Display size (16:9)			Projection distance	
	W (mm)	H (mm)	Wide (m)	Tele (m)	
60	1,328	747	1.78	3.66	
70	1,549	872	2.09	4.28	
80	1,771	996	2.40	4.89	
90	1,992	1,121	2.70	5.51	
100	2,214	1,245	3.01	6.13	
110	2,435	1,370	3.31	6.75	
120	2,656	1,494	3.62	7.36	
130	2,878	1,619	3.92	7.98	
140	3,099	1,743	4.23	8.60	
150	3,320	1,868	4.53	9.22	
160	3,542	1,992	4.84	9.84	
170	3,763	2,117	5.14	10.45	
180	3,984	2,241	5.45	11.07	
190	4,206	2,366	5.75	11.68	
200	4,427	2,490	6.06	12.30	

*Projection distances are design specifications, so there is ±5% variation.

■ Specifications

	DLA-HD990
Device	0.7inch D-ILA x3
Resolution	1920 x 1080 pixels
Lens	2x motorized zoom & focus, f=21.4mm - 42.8mm, F=3.2 - 4
Lens shift	±80% Vertical / ±34% Horizontal (motorized)
Projection size (screen diagonal)	60 - 200 inches
Light source lamp	200W UHP (lamp life: approx. 3,000 hours in Normal mode)
Brightness	900lm
Contrast ratio	Native: 70,000:1
Terminals	HDMI (ver.1.3) x2, Component x1 (RCA), S-Video x1 (mini DIN), Composite x1 (RCA), PC x1 (D-Sub 15-pin), Trigger x1 (mini jack), RS-232C (D-sub 9-pin)
Video input signal	480i/p, 576i/p, 720p 60/50, 1080i 60/50, 1080p 60/50/24
PC input	Digital: VGA/SVGA/XGA/WXGA/WXGA+/SXGA/WXGA+/WLXGA
signal	Analog: VGA/SVGA/XGA/WXGA/WXGA+/SXGA/SXGA+/WSXGA+
Noise level	19dB (Normal mode)
Power requirement	AC 110V-240V, 50/60 Hz
Power consumption	310W (Stand-by mode: 0.7W)
Dimensions (W x H x D)	14.37" x 6.58" x 18.82" / 365 x 167 x 478 mm
Weight	24.5 lbs. / 11.2kg

• The projector is equipped with a high-pressure mercury lamp, which may break, emitting a loud noise, when it is subjected to shock or after it has been used for some length of time. • Please note that, depending on how the projector is used, there can be considerable difference between individual lamps regarding how many hours they will operate before requiring replacement. • An additional payment is required for installation of a new lamp, if necessary. • The projector lamp requires periodic replacement and is not covered by warranty. • Please be aware that, because the D-ILA device is manufactured using highly advanced technologies, 0.01% or fewer of the pixels may be non-performing (always on or off).

Design and specifications are subject to change without notice. All pictures on this brochure are simulated. THX and the THX logo are trademarks of THX Ltd. which may be registered in some jurisdictions. ISF is a registered trademark of Imaging Science Foundation, Inc. HDMI, the HDMI logo and High-Definition Multimedia Interface are trademarks or registered trademarks of HDMI Licensing LLC. All other brand or product names may be trademarks and/or registered trademarks of their respective owners. Any rights not expressly granted herein are reserved.