

SONY®

Data Projectors

VPL-CX21 VPL-CS21



Bright, Slim, and Stylish – Sony VPL-CX21/CS21 Data Projectors for Mobile Applications

Sony introduces two stylish new projectors, the VPL-CX21 and VPL-CS21, both of which feature Sony LCD panels with 3LCD technology and a powerful lamp for accurate image reproduction at a brightness of 2100 ANSI lumens. Also, these projectors are extremely slim and lightweight. Their stylish body has been designed with rounded edges that fit easily into your hand, making them ideal for applications that require portability. Furthermore, they are extremely easy to use, thanks to the Advanced Intelligent Auto Set-up function, which includes Auto Focus and many other convenient functions and features. Stylish, feature-rich, and easy to use, the VPL-CX21 and VPL-CS21 are ideal for mobile businesspeople who want to stay focused on their presentations, not their equipment.

FEATURES

High Brightness of 2100 ANSI Lumens

Adopting three Sony 0.63-inch LCD panels and a newly designed 165 W lamp, both the VPL-CX21 and VPL-CS21 achieve a brightness of 2100 ANSI lumens, providing outstanding image quality even in extremely high ambient-light conditions. With the VPL-CX21 providing XGA (1024 x 768) and the VPL-CS21 providing SVGA (800 x 600) resolution, these projectors offer fine reproduction of even the smallest details.

3LCD Projection System

Because the VPL-CX21 and VPL-CS21 utilize a 3LCD projection system, projected images are bright and natural. 3LCD is a projection system using three LCD panels (also known as high-temperature polysilicon or HTPS) that provides high light transmission and excellent color reproduction. It also provides smooth gradients in dark areas, and even helps prevent color breakup.



Advanced Intelligent Auto Setup

By simply turning on the power, the projector automatically initiates a host of sophisticated setup functions that make it easy to use even for first-time users.

- Power-operated tilt adjuster is set.
- Auto keystone correction is performed.
- Auto Input Search and Smart APA (Auto Pixel Alignment) occurs.
- Built-in Auto Focus module focuses the projector.

Off & Go*¹

The VPL-CX21 and VPL-CS21 incorporate a built-in circuit that continues to run the projector's cooling fan after it is unplugged. This enables you to unplug the projector and move on to your next location without wasting time.

*¹ Turn off the projector in accordance with the operating instructions.



Short Focal-Length Lens, Power Focus, Power Zoom

The short focal-length lens enables a large screen size from a short throwing distance. An 80-inch*² image can be projected from an approximate distance of just 2.3 meters (7.5 feet). This feature is invaluable when room space is limited but dynamic presentations are required.

*² Viewable area, measured diagonally.

Input Flexibility (Multiscan Converter)

With the built-in scan converter, these projectors can accept a wide variety of signals from both PC (VGA up to SXGA+) and video, including composite, S-Video (Y/C), and analog RGB/component via the HD D-sub 15-pin interfaces.

Six Picture Modes

Users can select the optimum image setup from six picture modes, according to the image source and the ambient-light condition. [Game, Living (Room), Cinema, Dynamic, Standard, and Presentation modes]

Security

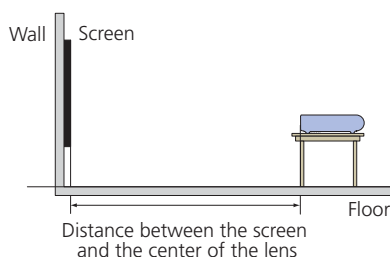
- Password Authentication System (security lock)
- Control Panel Key Lock

Other Features

- Easy-to-use Remote Commander™ Unit
- On-Screen Multi-Language Setup Menu
- Image Flip
- Digital Zoom (up to 4x)
- Picture Freeze
- Picture and Audio Muting
- Selectable Lamp Wattage (165 W or 125 W)

Throwing Distance

Floor Installation



Screen Size (inches)	40	80	100	150	200	250	300
Minimum Distance	1.2 (3.9)	2.3 (7.5)	2.9 (9.5)	4.4 (14.4)	5.9 (19.4)	7.3 (24.0)	8.8 (28.9)
Maximum Distance	1.4 (4.6)	2.8 (9.2)	3.6 (11.8)	5.4 (17.7)	7.2 (23.6)	9.0 (29.5)	10.7 (35.1)

Unit: m (feet)

Preset Signals

Memory No.	Preset signal	fH (kHz)	fV (kHz)	Sync
1	Video/60 60 Hz	15.734	59.940	—
2	Video/50 50 Hz	15.625	50.000	—
3	480/60i 480/60i	15.734	59.940	S on G/Y
4	575/50i 575/50i	15.625	50.000	S on G/Y
5	480/60p 480/60p (progressive component)	31.470	60.000	S on G/Y
6	575/50p 575/50p (progressive component)	31.250	50.000	S on G/Y
7	1080/60i 1035/60i, 1080/60i	33.750	60.000	S on G/Y
8	1080/50i 1080/50i	28.130	50.000	S on G/Y
10	720/60p 720/60p	45.000	60.000	S on G/Y
11	720/50p 720/50p	37.500	50.000	S on G/Y
21	640 x 350 VGA mode1	31.469	70.086	H-pos, V-neg
22	VGA VESA 85Hz	37.861	85.080	H-pos, V-neg
23	640 x 400 PC-9801 Normal	24.823	56.416	H-neg, V-neg
24	VGA mode 2	31.469	70.086	H-neg, V-pos
25	VGA VESA 85Hz	37.861	85.080	H-neg, V-pos
26	640 x 480 VGA mode 3	31.469	59.940	H-neg, V-neg
27	Macintosh 13"	35.000	66.667	H-neg, V-neg
28	VGA VESA 72Hz	37.861	72.809	H-neg, V-neg
29	VGA VESA 75Hz	37.500	75.000	H-neg, V-neg
30	VGA VESA 85Hz	43.269	85.008	H-neg, V-neg
31	800 x 600 SVGA VESA 56Hz	35.156	56.250	H-pos, V-pos
32	SVGA VESA 60Hz	37.879	60.317	H-pos, V-pos
33	SVGA VESA 72Hz	48.077	72.188	H-pos, V-pos
34	SVGA VESA 75Hz	46.875	75.000	H-pos, V-pos
35	SVGA VESA 85Hz	53.674	85.061	H-pos, V-pos
36	832 x 624 Macintosh 16"	49.724	74.550	H-neg, V-neg
37	1024 x 768 XGA VESA 60Hz	48.363	60.004	H-neg, V-neg
38	XGA VESA 70Hz	56.476	69.955	H-neg, V-neg
39	XGA VESA 75Hz	60.023	75.029	H-pos, V-pos
40	XGA VESA 85Hz	68.677	84.997	H-pos, V-pos
41	1152x864 SXGA VESA 70Hz	63.995	70.019	H-pos, V-pos
42	SXGA VESA 75Hz	67.500	75.000	H-pos, V-pos
43	SXGA VESA 85Hz	77.487	85.057	H-pos, V-pos
44	1152 x 900 SUN LO	61.795	65.960	H-neg, V-neg
45	1280 x 960 SXGA VESA 60Hz	60.000	60.000	H-pos, V-pos
46	SXGA VESA 75Hz	75.000	75.000	H-pos, V-pos
47	1280 x 1024 SXGA VESA 60Hz	63.974	60.013	H-pos, V-pos
48	SXGA VESA 75Hz	79.976	75.025	H-pos, V-pos
49*	SXGA VESA 85Hz	91.146	85.024	H-pos, V-pos
50	1400 x 1050 SXGA+ 60Hz	63.981	60.020	H-neg, V-neg

*The smart APA function and the APA button on the remote commander are not active for Memory No. 49. If pixel alignment is required, make the adjustment manually from the "Signal" menu.

SPECIFICATIONS

VPL-CX21		VPL-CS21
Optical		
Projection System	3 LCD panels, 1 lens projection system	
Panel	0.63-inch XGA TFT LCD panel, 786,432 (1024 x 768) x3 pixels	0.63-inch SVGA TFT LCD panel, 480,000 (800 x 600) x3 pixels
Projection Lens	1.2 times zoom lens, f = 18.8 to 22.6 mm, F 1.6 to 1.94	
Lamp	165/125 W	
Screen Coverage	40 to 300 inches (viewable area measured diagonally) 40 to 150 inches (auto focus operation range) (viewable area measured diagonally)	
Light Output	2100 ANSI lm (Lamp mode: High) / 1600 ANSI lm (Lamp mode: Standard)	
Throwing Distance	80-inch 100-inch	2.3 to 2.8 m (7.5 to 9.2 feet) 2.9 to 3.6 m (9.5 to 11.8 feet)
Signals		
Color System	NTSC3.58, PAL, SECAM, NTSC4.43, PAL-M, PAL-N (automatically/manually selected)	
Resolution	Video 750 TV lines	600 TV lines
	RGB 1024 x 768 pixels	800 x 600 pixels
Acceptable Input Signals	Computer fH: 19 to 92 kHz, fV: 48 to 92 Hz (up to SXGA+ 60 Hz)	
	Video 15 kHz RGB/Component 50/60 Hz, Progressive Component 50/60 Hz, Composite video, Y/C video DTV (480/60i, 575/50i, 1080/60i, 480/60p, 575/50p, 1080/50i, 720/60p, 720/50p, 540/60p)	
General		
Speaker	Mono, Max. 1 W	
Power Requirements	AC 100 to 240 V, 50/60 Hz	
Power Consumption	Max 220 W	
	Standby 0.8 W	
Operating Temperature	0 to 35 °C (32 to 95 °F)	
Operating Humidity	35 to 85 % (non condensing)	
Storage Temperature	-20 to 60 °C (-4 to 140 °F)	
Storage Humidity	10 to 90% (non condensing)	
Dimensions (WxHxD)	273 x 210 x 52 mm (10 3/4 x 8 3/8 x 2 1/8 inches), excl. projections	
Mass	1.9 kg (4 lb 3 oz)	
Heat Dissipation	750.7 BTU	
OSD (language)	15 languages (English, Dutch, French, German, Italian, Spanish, Portuguese, Swedish, Norwegian, Japanese, simplified Chinese, traditional Chinese, Korean, Russian and Thai)	
INPUT/OUTPUT		
Input	RGB/Component 5-Video Composite Audio	HD D-sub 15 pin x 1 Mini DIN 4 pin x 1 (with supplied A/V connecting adaptor) RCA pin jack x 1 (with supplied A/V connecting adaptor) RCA pin jack x 2 (L/R) (with supplied A/V connecting adaptor)
Supplied Accessories	Remote Commander Unit (RM-PJ5), Lithium battery for Remote Commander Unit CR2025, HD D-sub 15 pin cable, A/V connecting adaptor, Carrying case, Security label, Operating Instructions (CD-ROM), Quick reference manual, AC power cord, Safety regulations booklet	

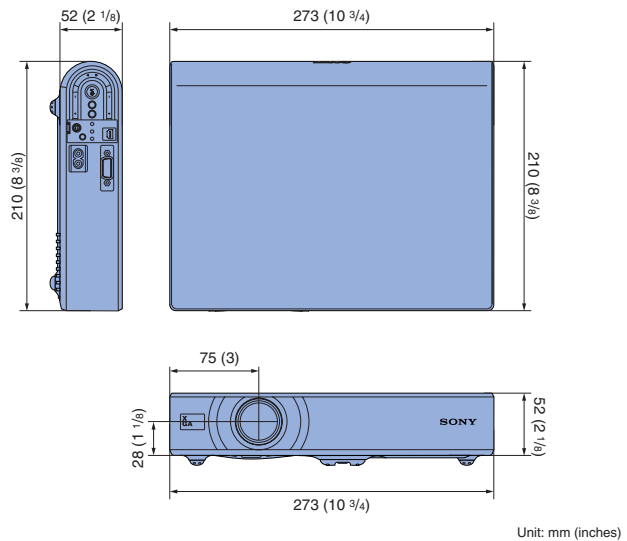
OPTIONAL ACCESSORIES



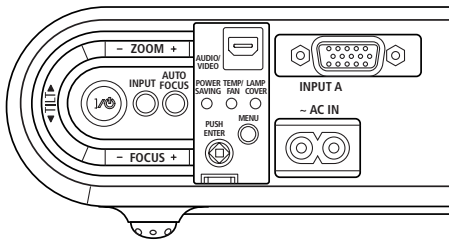
LMP-C163

Projector Lamp (for replacement)

DIMENSIONS



CONNECTOR/CONTROL PANEL



- Lead-free solder is used for soldering.
- Halogenated flame retardants are not used in cabinets and in printed wiring boards.
- Corrugated cardboard is used for the packaging cushions.
- Standby power consumption: 0.8 W

Distributed by

©2006 Sony Corporation. All rights reserved.
 Reproduction in whole or in part without written permission is prohibited.
 Features and specifications are subject to change without notice.
 All non-metric weights and measurements are approximate.
 Sony is a registered trademark of Sony Corporation.
 Remote Commander is a trademark of Sony Corporation.
 All other trademarks are the property of their respective owners.