

# D100 Series Projectors

XGA and WXGA  
resolution desktop  
projectors with  
2600-3200 lumens  
brightness.



# WXGA and XGA resolution desktop projectors with 2600-3200 lumens brightness

Designed for corporates and small to medium businesses to enable them to work smarter and create business-driving impact, the new D100 Series projectors are the perfect desktop projectors delivering clear crisp, bright presentations in any corporate meeting room.



Weighing just 2.5kg, these professional projectors give businesses the most practical balance of great performance, portable simplicity and are environmentally conscious. Easy to carry, set-up and power down, they are ideal for small to medium-sized rooms.

The DX120/DX125 deliver 2600lm colour brightness with a 1.47 - 1.77:1 throw ratio. The VPL-DW120/DW125 offer WXGA resolution at 2600lm colour brightness with a 1.44 - 1.87:1 throw ratio. The VPL-DX140/DX145 offer a step-up with 3200lm colour brightness and a 1.37-1.80:1 throw ratio.

The VPL-DX125, DW125 and DX145 models all have LAN/Wireless and USB connectivity as standard, allowing for network presentation, monitoring and control and PC-less presentation.

Furthermore, in common with all Sony projectors, the projectors feature the Sony BrightEra 3LCD inorganic panel technology that delivers higher picture quality, substantially brighter images, higher efficiency, better contrast, consistent colour stability and longer durability and usability.

All six models feature three brightness modes for different uses – High for presentations in bright meeting rooms (3200/2600/2600 colour brightness), Standard for everyday use (2300/1900/1900 colour brightness) and Low for video in darkened rooms (1900/1500/1700 colour brightness).

## Key Features

### ECO Mode Key

Users can easily select power-saving ECO Modes. The most energy-efficient mode is accessible through a single button-push, with further adjustments available through an easily understood menu system.

### ECO Picture Mute - (Instant Off/Instant On)

The new ECO Picture Mute feature reduces power consumption down to 30%, saving cost and lamp hours. This feature can be used in the boardroom as instant off/instant on in-between presentations. There is no need to power completely off and turn back on, which is time consuming.

### Auto Dimming Mode

The D100 Series projectors automatically adjust brightness depending on the image. The darker the image, the less energy used by the lamp. (Maximum 70% lamp power reduction based on the image.)

### ECO Lamp Dimming

These projectors (if this function is selected) can reduce power consumption and brightness by 10-15%. After a user pre-set time, the brightness and power consumption will reduce to 30% power usage, with instant 100% brightness returning as soon as a new signal input is detected.

### ECO Gauge

When the projector is shut down, an ECO achievement indication (gauge) appears to show the user how well they have used the projector. The more ECO features that have been used, the better the ECO green leaf mark. (Calculated by the use of ECO functions and actual lamp wattage.)

### Network Presentation

Send content via a LAN 10 BASE-T/100 BASE-TX or wirelessly via USB wireless LAN model that comes standard with the VPL-DX125, DX145 and DW125 models.

### USB Media View

Go PC-less with the VPL-DX125, DX145 and DW125 by using a USB flash drive for jpeg/.jpg/.bmp/.png/.tiff/.tif image files.

## Other Features

### XGA Resolution

The VPL-DX120, DX125, DX140 and DX145 have a native XGA (1024 x 768) 4:3 screen resolution panel, perfect for presentations direct from a laptop or PC.

### WXGA Resolution

The VPL-DW120 and VPL-DW125 have a native WXGA (1280 x 800) 16:10 screen resolution panel, perfect for presentations direct from a laptop or PC.

### 7000 Hours Lamp Life

A new driving scheme reduces gap expansion which minimises brightness gradation. A new cooling system allows uniformity in the temperature of the glass bulb which prevents the glass from clouding.

### Vertical Keystone Adjustment

The projectors can correct keystone distortion by +/- 30% for perfect installation adjustment to the screen. (Note that since this is an electronic correction, it will reduce the picture quality slightly.)



 **BrightEra™**

## Other Features Continued

### Digital Zoom

With Digital Zoom, users can enlarge a selected area of a computer-sourced image on the screen up to four times.

### Six Picture Modes

Both these projectors have six available picture modes for correct picture quality; Dynamic, Standard, Game, Living, Cinema and Presentation. With six picture modes and 3 brightness modes combined, users can select the most suitable picture/brightness mode according to the picture source and environment for the perfect image.

### 3LCD BrightEra Technology

The Sony BrightEra inorganic TFT 3LCD panels deliver improved panel light resistance, higher resolution, high brightness and increased panel reliability.

### Smart APA (Auto Pixel Alignment)

When a computer is used as a picture source, APA automatically optimises Phase, Pitch and Shift values. These can also be adjusted manually.

### Auto Input Search

Auto Input Search detects which input has an incoming signal and automatically switches to it. This makes it easier for users to set up the projector prior to making a presentation.

### Picture Muting / Audio Muting

If there is a need to blackout the image or turn off the audio from the projector, all it takes is a single button-press on the remote control. One button will mute audio and image at the same time. There is also a separate "mute audio" button for audio-only muting.

### Audio Switcher Facility

To avoid the need for a separate audio switcher, the projector can be used to select between two audio sources, routing them via a variable audio output to the room amplification system.

### Picture Freeze Function

Picture Freeze is useful during presentations where users need to look at other material on their PC's screen without

the viewing audience being aware.

Freeze the current image and users can use their PC independently of the display from the projector.

### Off and Go

At the end of a presentation, users can turn off the power supply to the projector immediately, instead of going through a 'power down' cycle.

### Direct Power On/Off

With this function, there is no need to go through 'Standby' mode when powering up the projector. The projector can be set to activate as soon as power is supplied.

### Built-in Security Measures

The projectors have a package of security measures, including password protection and physical anti-theft anchor points.

## Optional Accessories

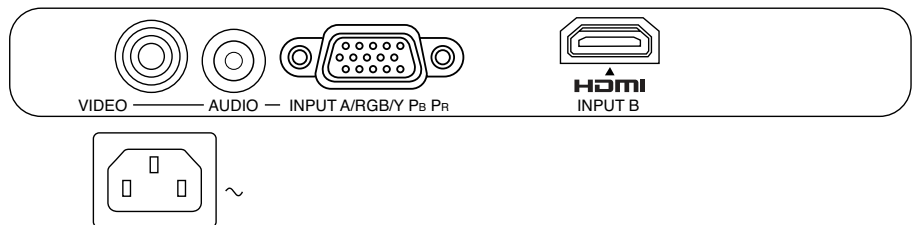
### LMP-D213

Replacement Projector Lamp

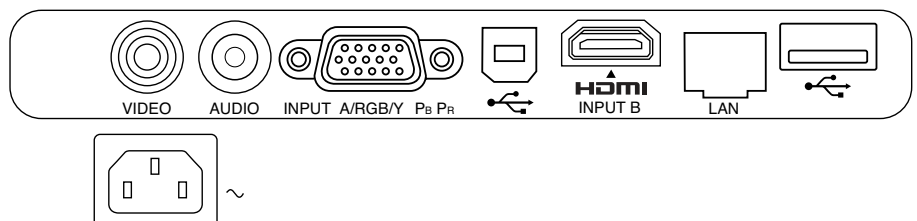


## Connector Panels

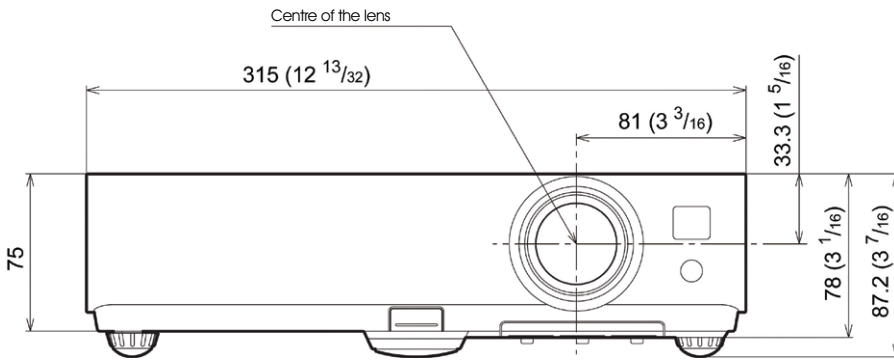
### Rear connector panel for VPL-DX120, VPL-DW120 and VPL-DX140 projectors



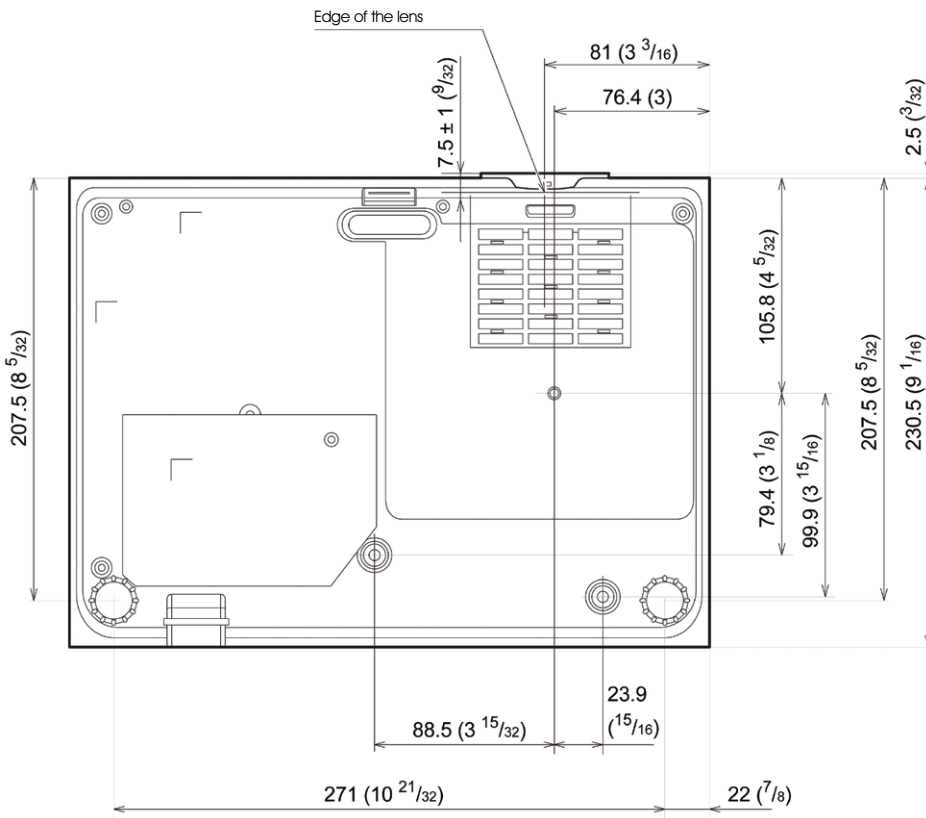
### Rear connector panel for VPL-DX125, VPL-DW125 and VPL-DX145 projectors



Front Dimensions for the D100 Series projectors



Bottom Dimensions for the D100 Series projectors



All Sony Professional's Desk Top (D100 Series) business projectors sold into the EU, Norway and Switzerland come supplied with a 2 year projector and 1 year lamp/1000 hour lamp cover PrimeSupport pack. This offers unique services and benefits over and above standard warranty:-

2 Year Projector and 1 Year Lamp/1000 Hour PrimeSupport Cover

Freephone telephone helpdesk support (00800 7898 7898) in 5 languages. Collection, repair and return anywhere in EU, Norway and Switzerland.

In addition, optional PrimeSupport Plus packs can be purchased which can further enhance the 3 year support to give extra peace of mind:-

- A 1 year extension of the standard 2 year PrimeSupport to give long-term assurance of expert support, technical assistance and repairs for 3 years from purchase date.
- A 3 year extension of the standard 2 year PrimeSupport to give long-term assurance of expert support, technical assistance and repairs for 5 years from purchase date.
- Provision of a loan unit for 3 or 5 years cover to ensure minimal impact to the customer's business in case of product failure.
- Cover for a lamp failure throughout the 3 year PrimeSupport term for customers who don't want to have any unexpected running costs.

## Specifications

		VPL-DX120/VPL-DX125	VPL-DW120/VPL-DW125	VPL-DX140/VPL-DX145
Display system		3 LCD system		
Display device	Size of effective display area	0.63" (16 mm) x 3, BrightEra, Aspect ratio: 4:3	0.59" (15 mm) x 3, BrightEra, Aspect ratio: 16:10	0.63" (16 mm) x 3, BrightEra, Aspect ratio: 4:3
	Number of pixels	2,359,296 (1024 x 768 x 3) pixels	3,072,000 (1280 x 800 x 3) pixels	2,359,296 (1024 x 768 x 3) pixels
Projection lens	Zoom (Manual)	x1.2		x1.3
	Focus	Manual		
	Digital Zoom	x4		
	Light source	High-pressure mercury lamp 210 W type		
	Recommended lamp replacement time*1	3000 H / 5000 H / 7000 H (Lamp mode: High / Standard / Low)		
	Filter cleaning cycle	Max. 1000 Hours (low mode)		
	Screen size	30" to 300" (0.762m to 7.62m) Diagonal		
	Light output (Lamp mode: High / Standard / Low)	2600 lm / 1900 lm / 1700 lm	2600 lm / 1900 lm / 1500 lm	3200 lm / 2300 lm / 1900 lm
	Color light output	2600 lm / 1900 lm / 1700 lm	2600 lm / 1900 lm / 1500 lm	3200 lm / 2300 lm / 1900 lm
	Contrast ratio (full white / full black)	2500:1		
	Speaker	1 W x 1 (monaural)		
Displayable scanning frequency	Horizontal	15 kHz to 92 kHz		
	Vertical	48 Hz to 92 Hz		
Display resolution	Computer signal input	Maximum input signal resolution: UXGA 1600 x 1200 (resizing display), Panel display resolution: 1024 x 768 pixels (VPL-DX120 and VPL-DX140), 1280 x 800 pixels (VPL-DW120)		
	Video signal input	Video (composite), 15k (480/60i, 576/50i), DTV (480/60p, 576/50p, 720/60p, 720/50p, 1080/60i, 1080/50i 1080/60p, 1080/50p)		
	Color system	NTSC3.58, PAL, SECAM, NTSC4.43, PAL-M, PAL-N		
	Keystone correction	Vertical: Max. +/- 30 degrees		
OSD language	23-language (English, French, German, Italian, Spanish, Portuguese, Japanese, Chinese ( 簡・繁 ), Korean, Russian, Dutch, Norwegian, Swedish, Thai, Arabic, Turkish, Polish, Vietnamese, Farsi, Finnish, Indonesian, Hungary)			
Computer and video signal input/output	INPUT A	RGB / Y PB PR input connector: Mini D-sub 15-pin (female), Audio: Stereo mini jack / Shared with component		
	INPUT B	HDMI HDMI (Digital RGB/Y Pb Pr, Digital Audio) HDCP Support		
	VIDEO IN	Video input connector: Pin jack, Audio: Stereo mini jack / Shared with Input A		
	LAN	RJ-45 10 BASE-T/100 BASE-TX (VPL-DX125 only)	RJ-45 10 BASE-T/100 BASE-TX (VPL-DW125)	RJ-45 10 BASE-T/100 BASE-TX (VPL-DX145)
	USB	TYPE A, TYPE B (VPL-DX125 only)	TYPE A, TYPE B (VPL-DW125)	TYPE A, TYPE B (VPL-DX145)
Operating temperature (Operating humidity)		0°C to 35°C / 32°F to 95°F (20% to 80% (no condensation))		
Storage temperature (Storage humidity)		-20°C to +60°C / +4°F to +140°F (20% to 80%)		
Power requirements		AC 100 V to 240 V, 2.9 A - 1.2A 50 Hz / 60 Hz		
Power consumption	AC 100 V to 120 V	282W / 227W / 193W	273W / 226W / 193W	283W / 226W / 192W
	AC 220 V to 240 V	270W / 218W / 186W	262W / 287W / 187W	269W / 218W / 186W
Standby mode power consumption	AC 100 V to 120 V	<0.5 W (Standby mode: Low)		
	AC 220 V to 240 V	<0.5 W (Standby mode: Low)		
Heat dissipation	AC 100 V to 120 V	990 BTU		
	AC 220 V to 240 V	955 BTU		
Standard outside dimensions		W 315 x H 87.2 x D 233 mm W 315 x H 75 x D 230.5 mm (without protrusion)		
Mass		2.5kg / 5lb 7oz		
Supplied Accessories		AC Power Cord Remote Commander RM-PJ8 (1) CR2025, Lithium Battery (1) Mini D-sub 15-pin cable (1) Lens Cap (1) Operating Instructions (1) WEEE, EU Battery Info, Service Documentation Quick Reference Manual (1) Carrying Case Wireless LAN Module IFU-WLM3 (1) - DX125, DX145 and DW125 models only		
Optional Accessories		LMP-D213, Replacement Projector Lamp PAM-200, Mounting Bracket		

\*1 Hours are approximate

© 2012 Sony Corporation. All rights reserved. Reproduction in whole or in part without permission is prohibited. Features and specifications are subject to change without notice. All non-metric weights and measurements are approximate. Sony and make.believe are trademarks of Sony Corporation. All other trademarks are the property of their respective owners.

Distributed by

Professional Solutions Europe is the leading supplier of AV/IT solutions to businesses across a wide variety of sectors including, **Media and Broadcast, Video Security and Retail, Transport & Large Venue markets**. It delivers products, systems and applications to enable the creation, manipulation and distribution of digital audio-visual content that add value to businesses and their customers. With over 25 years' experience in delivering innovative market-leading products, **Professional Solutions Europe** is ideally placed to deliver exceptional quality and value to its customers. **Sony's Professional Services** division, its systems integration arm, offers its customers access to the expertise and local knowledge of skilled professionals across Europe. Collaborating with a network of established technology partners, Professional Solutions Europe delivers end to end solutions that address the customer's needs, integrating software and systems to achieve each organisations' individual business goals. For more information please visit [www.pro.sony.eu](http://www.pro.sony.eu)

HCT\_VPL-D-Series\_J787\_UK\_04/09/2012

**SONY**  
make.believe