

SONY

Network Data Projectors
VPL-FE40 (L) VPL-FX40 (L)

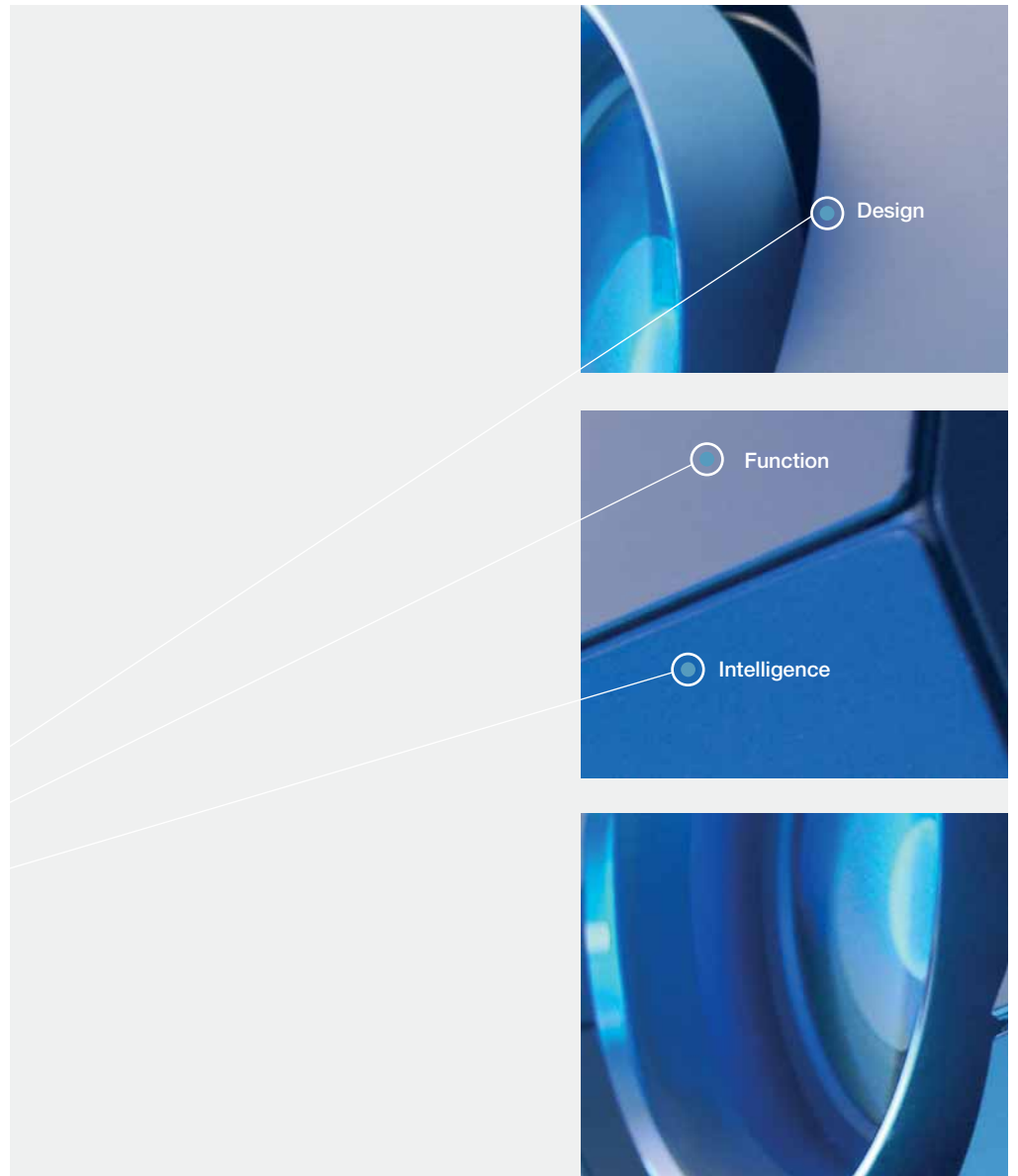


Design, Function, Intelligence.

The VPL-FX40 and VPL-FE40 installation projectors from Sony are packed with features and intelligent technology. Boasting ultra-modern design, and easy to use and maintain, they produce exceptionally bright and clear pictures – making them ideal for high-impact multimedia presentations. In locations such as boardrooms, large conference rooms, R&D facilities, and university classrooms, these projectors captivate audiences with their breathtaking image quality.

These two models are the first projectors to incorporate the new BrightEra™ inorganic alignment layer 0.79" LCD panels. These represent the very latest technology in precise liquid crystal alignment and ultimately deliver greater reliability and higher picture quality. Compared to conventional LCD panels, this new material greatly augments the panel's resistance to ultraviolet light, which is key to panel reliability. BrightEra panels have a greater aperture ratio than traditional panels and this enables the projectors to produce an incredibly bright image. Furthermore, BrightEra panels, as with traditional LCD panels, avoid the colour separation or the 'rainbow effect' that are inherent in some other projection technologies.

The VPL-FX40 and VPL-FE40 project clear and crisp images even on very large screens. With outstanding functionality, simple operation, and network capabilities, both projectors provide you with the tools to perform seamless presentations. The projectors' ability to accept a broad array of signals, including those from sources equipped with the latest High-Definition Multimedia Interface (HDMI), can increase the dynamics of your presentations. And, with the VPL-FX40L & VPL-FE40L lens-less projectors version available, you can choose one of 3 optional bayonet lenses that meet the requirements of your specific applications.



Features

01 Outstandingly bright

The VPL-FE40 and VPL-FX40 both achieve outstanding brightness of 4000 ANSI lumens for dynamic, large-screen presentations even in high ambient lighting conditions. Combining the new Sony BrightEra inorganic LCD panels with a cost-efficient 275W Ultra High Pressure lamp, these stylish projectors will bring your presentations to life.

07 Flexible installation options

The VPL-FE40 and VPL-FX40 can be tilted 90 degrees upwards or downwards, allowing them to be installed in several different ways. When applications require double the light output, the projectors can be twin-stacked and the Picture Shift function is used to match the pictures from each projector.

02 Exceptionally high resolution

The VPL-FX40 offers native XGA (1024 x 768) resolution, while the VPL-FE40 offers native SXGA+ (1400 x 1050) resolution. This level of resolution means that extremely clear and detailed high-quality images can be projected, even on large screens (up to 600 inches).

08 Multiple interfaces for flexible operation

The projectors are loaded with interfaces; 2 x RGB for flexible connections, 5 x BNC and HDMI to connect to digital RGB equipment incorporating HDMI, RS232C port for management and control, Network RJ45 for management, maintenance and presentation, Video In, S-Video and Composite Video. Each input (Input A, B, C and Monitor Out) has its own dedicated Audio/Stereo mini jack.

03 Sony 3LCD technology

Both models incorporate a 3LCD projection system, resulting in brighter pictures, greater detail and more natural colours. 3LCD is a projection system using three LCD panels and provides high light transmission and excellent colour reproduction. It also provides smooth gradients in dark areas.

09 Direct Power On/Off and Off & Go

This function allows the projectors to be powered on/off immediately via the main switch, bypassing the standby mode completely. The Off & Go feature continues to cool the projector after the power supply has been turned off.



04 DDE (Dynamic detail enhancer)

This unique video-enhancing technology generates high-quality images of outstanding clarity. For interlaced video sources, IP (Interlace/Progressive) conversion is applied to the signals to project clear and sharp progressive images. When displaying film-originated sources, signals converted by 2-3/2-2 pull down are detected and each frame of the original film is accurately reproduced.

10 Built-in ID function

This allows each projector to be controlled independently from a single Remote Commander Unit. For multi-projector installations in a single room, this feature is indispensable both during installation and operation.

05 Uniform image colour and brightness

The projectors incorporate 12-bit 3D Gamma Correction circuitry to perform highly accurate gamma correction, achieving uniform image colour and brightness that extends right to the corners of the screen. What's more, the 3D Digital Comb Filter separates Y signals from C signals with great accuracy, which emphasises fine images and shape boundaries.

11 Digital Keystone Adjustment

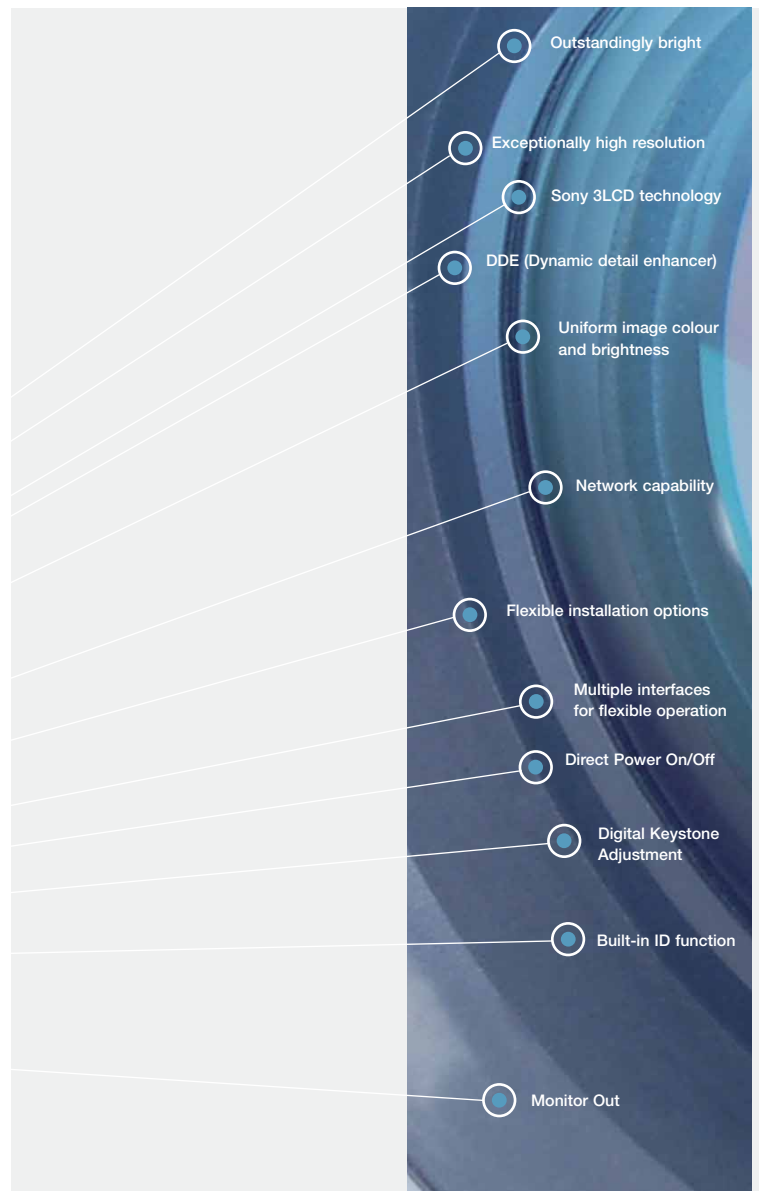
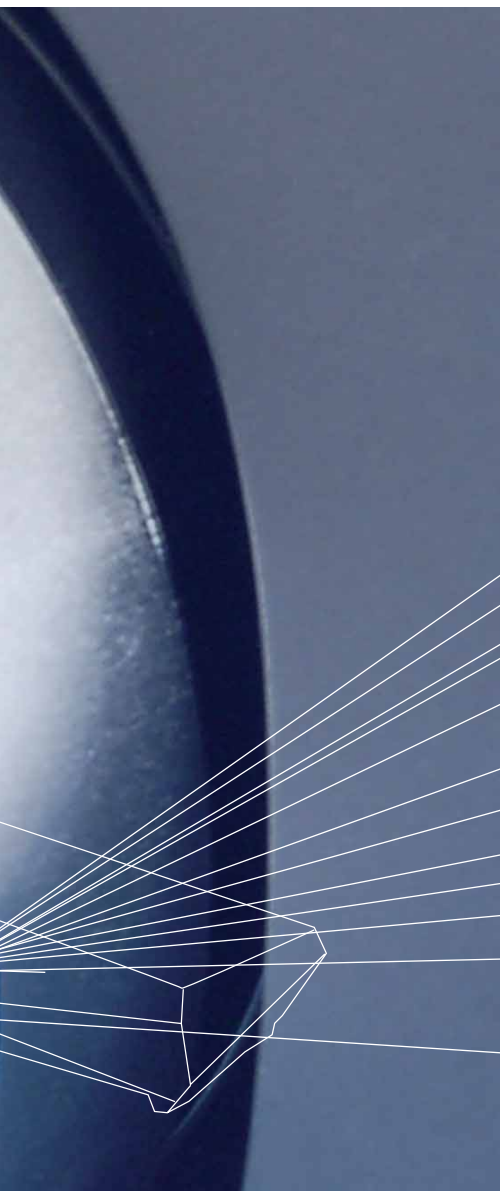
Vertical keystone adjustment of up to $\pm 30^\circ$ can be digitally corrected via the OSD and/or Remote Commander. This enables images to be projected with their correct geometry, even when installation space is limited.

06 Monitor Out

Projected images can be monitored by connecting a PC monitor to the projectors, allowing the presenter to continually face the audience during the presentation.

12 Network presentations

These projectors include a feature which is unique to Sony: when they are connected to a LAN via RJ45, presentations can be projected from any PC on the network – whether connected via a LAN cable or wirelessly.



13 Ziris Manage Lite

This optional software allows you to monitor all Sony network projectors via the LAN. Checking current status or changing settings can all be done remotely. This can be of huge benefit to institutions such as educational establishments where a large number of projectors need to be maintained.

16 Optional lenses for more possibilities

The VPL-FE40 and VPL-FX40 are each supplied with a power lens which is suitable for most general applications. The VPL-FE40L and VPL-FX40L are available when a specific application requires a special lens. These models are supplied without a standard lens, but are compatible with any of three optional lens types, extending the type of applications in which the projectors can be used.

14 Multi-language OSD (On-screen display)

This is available in 16 languages.

15 Easy lamp replacement and filter cleaning

The lamp hours can be monitored via the built-in browser on the projector or can be automatically notified via the optional Ziris Manage Lite software. The lamp is accessible from the side of the projector and the filter from the front, so this can be done easily with no need to uninstall the projector.

17 Whisper-quiet operation

At 28dB (standard mode) the VPL-FE40 and VPL-FX40 operate at a noise level less than a whisper, allowing smooth and undisturbed presentations.

18 Horizontal and Vertical Picture Shift

Horizontal and vertical picture shift flexibility is available and controlled via both the projector and the remote commander.



The Power of the Network

Because the VPL-FE40 and VPL-FX40 projectors can be installed on a LAN, presentations can be projected from any PC on that network – whether connected via a cable or wirelessly. Switching from one presenter to another is just a click away – there's no fussing with cables.

The networking ability also allows the running of remote management and maintenance software – Ziris Manage Lite – bringing very real and tangible benefits to users and system administrators alike.

Network Presentations

Using the network, a single PC can be used to project an image on up to five projectors at the same time. This is especially useful in large venues and multiple rooms in which images have to be projected from various locations.

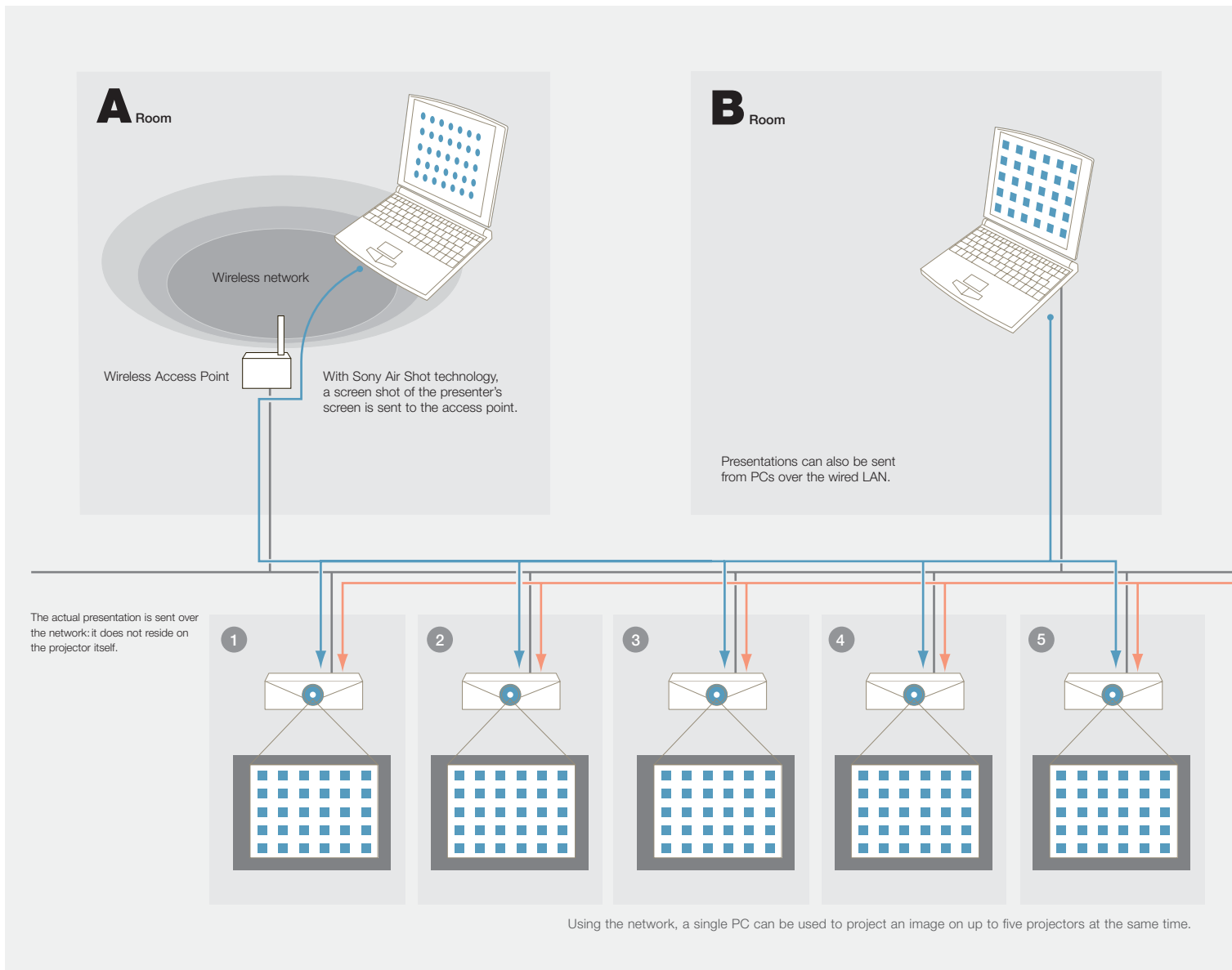
Once your projectors have been set up, images can be sent and projected from anywhere over your company's network. This is ideal for applications such as distance learning and long-distance corporate communication.

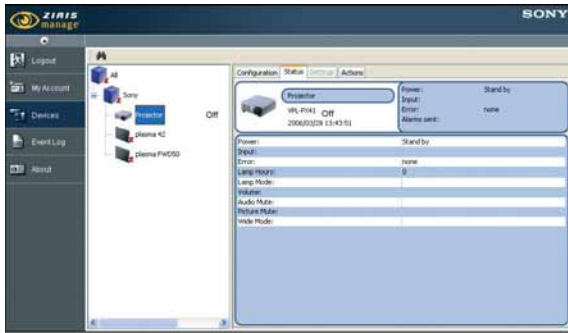
Ziris Manage Lite*

When you invest in network projectors, you'll want to know that everything is running smoothly. Ziris Manage Lite can offer you such reassurance. That's because it consistently keeps a close eye on the whole process. And, should a problem arise, you can act quickly to put it right.

Information such as whether the unit is switched on, which video input is chosen and projector lamp hours is invaluable if you're concerned about preventative maintenance.

* Optional Software





Ziris Manage Lite

System requirements to run supplied application software

Hardware

- > CPU: Intel® Pentium® III 600-MHz processor or faster
- > Memory: 64 MB or more (128 MB or more is recommended).
128 MB or more is required when using Microsoft® Windows® XP
- > Hard disk: 10 MB or more of free space
- > Display (XGA recommended)
- > Network Capability
- > CD-ROM Drive operating System
- > Microsoft® Windows® 98 SE / Windows ME / Windows 2000 / Windows XP Home Edition, Windows XP Professional Edition

Browser

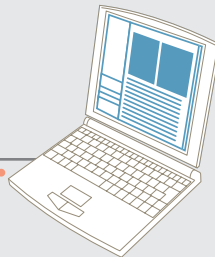
- > Internet Explorer 5.0 or higher

Sony cannot guarantee that the application software will run properly even if all of the above system requirements are met.

Notice Regarding Network Presentations

- > Animation effects and the slide show function in Microsoft PowerPoint presentations can be used; however, transmission delays may occur if a large number of effects are performed at once or if several slides are turned at once.
- > Network transmission is not suitable for video or sound.
- > Applications that use DirectX® application programming interface may not be displayed properly.
- > When using Windows XP or Windows 2000 Operating Systems, the user must be logged into an account with computer administrator access.
- > Application software is provided in English and Japanese.
- > Network presentations may not be possible depending on network environment and available bandwidth.

C Admin Room



Ziris Manage Lite installed

Ziris Manage Lite (optional software)

- > Real-time access to reports at any time.
- > Remote, internet-based monitoring and managing of all projectors on the network from one central site.
- > Ability to plan preventative hardware maintenance, such as replacing projector lamps based on conditions such as time of use.
- > Control over devices, including scheduled hourly, daily or weekly power-on/off switch, video-input selection, etc.
- > A highly intuitive and user-friendly interface.

- Ethernet Local Area Network (LAN)
- Remote diagnostics, maintenance and management
- Presentation and data sent from PC to projector

Technical Specifications



Variety of Lenses

- 1 **VPL-1008**¹ Fixed Short Focus Projection Lens (Optional)
- 2 **VPLL-Z1024** Middle Focus Zoom Projection Lens (Optional)
- 3 **VPLL-Z1032** Long Focus Zoom Projection Lens (Optional)
- 4 Supplied Power Lens

	1	2	3	4
F	2.0	2.0-2.3	2.0-2.4	1.66-2.18
Throw ratio ²	0.78:1	2.38-3.26:1	3.24-4.95:1	1.875-2.38:1
Zoom	-	1.45	1.6	1.3
f number (mm)	13.1	37.8-54.3	52.6-84.2	30.6-39.7
Power/Manual	Manual Focus	Power Zoom/ Focus/ Shift	Power Zoom/ Focus/ Shift	Power Zoom/ Focus/ Shift
Screen size	60-300"	40-600"	40-600"	40-600"
Shift (V)	-	1/2 V	1/2 V	1/2 V
(H)	-	1/10 H	1/10 H	1/10 H
Dimensions (WxHxD, mm)	130x130x243	97x87x180	97x87x182	-
Weight	1500g	1140g	1140g	-
Throwing distance		Wide Tele	Wide Tele	Wide Tele
Screen size³				
40-inch	-	1880 mm 2590 mm	2550 mm 3940 mm	2550 mm 3940 mm
60-inch	930 mm	2860 mm 3940 mm	3890 mm 5980 mm	3890 mm 5980 mm
80-inch	1260 mm	3850 mm 5280 mm	5240 mm 8020 mm	5240 mm 8020 mm
100-inch	1590 mm	4840 mm 6630 mm	6580 mm 10,060 mm	6580 mm 10,060 mm
150-inch	2420 mm	7300 mm 9990 mm	9950 mm 15,150 mm	9950 mm 15,150 mm
200-inch	3250 mm	9770 mm 13,350 mm	13,310 mm 20,240 mm	13,310 mm 20,240 mm
300-inch	4910 mm	14,700 mm 20,060 mm	20,040 mm 30,430 mm	20,040 mm 30,430 mm
400-inch	-	19,630 mm 26,780 mm	26,760 mm 40,620 mm	26,760 mm 40,620 mm
500-inch	-	24,570 mm 33,500 mm	33,490 mm 50,810 mm	33,490 mm 50,810 mm
600-inch	-	29,500 mm 40,220 mm	40,220 mm 60,990 mm	40,220 mm 60,990 mm

¹ When using the VPLL-1008 lens, the centre of the image projected from the lens must be perpendicular to and aligned with the centre of the screen vertically (mirror usage is acceptable). Also, the projector cannot be installed upside-down when using this lens.

² Distance between the centre of the projector lens and the screen, divided by the screen width.

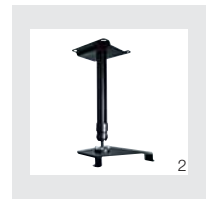
³ Viewable area, measured diagonally.

Optional Accessories

- 1 **LMP-F270** Projector lamp (for replacement)
- 2 **PSS-610NL** Ceiling bracket
- 3 **BZSQ-M001** Ziris Manage Lite software



It's quick and easy to carry out routine maintenance on the projector – you replace the lamp from the side of the projector and the filters (for cleaning) from the front. There's no need to uninstall then reinstall the projector.



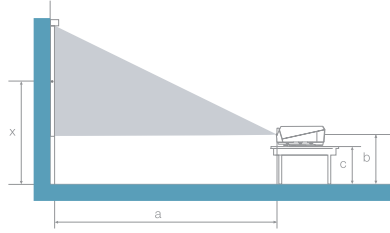
Preset Signal Chart

No.	Preset signal		fH(kHz)	fV(Hz)	Sync	Size
1	Video 60 Hz	Video 60 Hz	15.734	59.940	-	-
2	Video 50 Hz	Video 50 Hz	15.625	50.000	-	-
3	480/60i	DTV 480/60i	15.734	59.940	S on G/Y	-
4	575/50i	DTV 575/50i	15.625	50.000	S on G/Y	-
5	480/60p	480/60p (NTSC Progressive component)	31.470	60.000	S on G/Y	-
6	575/50p	575/50p (PAL Progressive component)	31.250	50.000	S on G/Y	-
7	1080/60i	1035/60i, 1080/60i	33.750	60.000	S on G/Y	-
8	1080/50i	1080/50i	28.130	50.000	S on G/Y	-
10	720/60p	720/60p	45.000	60.000	S on G/Y	-
11	720/50p	720/50p	37.500	50.000	S on G/Y	-
12	1080/60p	1080/60p	67.500	60.000	S on G/Y	-
13	1080/50p	1080/50p	56.260	50.000	S on G/Y	-
21	640 x 350	VGA Mode 1	31.469	70.086	H-pos, V-neg	800
22	640 x 350	VESA 85 (VGA350)	37.861	85.080	H-pos, V-neg	832
23	640 x 400	NEC PC98	24.823	56.416	H-neg, V-neg	848
24	640 x 400	VGA Mode 2	31.469	70.086	H-neg, V-pos	800
25	640 x 400	VESA 85 (VGA400)	37.861	85.080	H-neg, V-pos	832
26	640 x 480	VGA Mode 3	31.469	59.940	H-neg, V-neg	800
27	640 x 480	Mac 13	35.000	66.667	H-neg, V-neg	864
28	640 x 480	VESA 72	37.861	72.809	H-neg, V-neg	832
29	640 x 480	VESA 75 (IBM M3)	37.500	75.000	H-neg, V-neg	840
30	640 x 480	VESA 85	43.269	85.008	H-neg, V-neg	832
31	800 x 600	VESA 56	35.156	56.250	H-pos, V-pos	1024
32	800 x 600	VESA 60	37.879	60.317	H-pos, V-pos	1056
33	800 x 600	VESA 72	48.077	72.188	H-pos, V-pos	1040
34	800 x 600	VESA 75 (IBM M5)	46.875	75.000	H-pos, V-pos	1056
35	800 x 600	VESA 85	53.674	85.061	H-pos, V-pos	1048
36	832 x 624	Mac 16	49.724	74.550	H-neg, V-neg	1152
37	1024 x 768	VESA 60	48.363	60.004	H-neg V-neg	1344
38	1024 x 768	VESA 70	56.476	70.069	H-neg V-neg	1328
39	1024 x 768	VESA 75	60.023	75.029	H-pos, V-pos	1312
40	1024 x 768	VESA 85	68.677	84.997	H-pos, V-pos	1376
45	1280 x 960	VESA 60	60.000	60.000	H-pos, V-pos	1800
46	1280 x 960	VESA 75	75.000	75.000	H-pos, V-pos	1728
47	1280 x 1024	VESA 60	63.974	60.013	H-pos, V-pos	1696
48	1280 x 1024	SXGA VESA75	79.976	75.025	H-pos, V-pos	1688
49	1280 x 1024	SXGA VESA85	91.146	85.024	H-pos, V-pos	1476
50	1400 x 1050	SXGA+	65.317	59.978	H-neg, V-pos	1864
51	1600 x 1200	UXGA VESA60	75.000	60.000	H-pos, V-pos	2100
55	1280 x 768	1280 x 768/60	47.776	59.870	H-neg, V-pos	1664
56	1280 x 720	1280 x 720/60	44.772	59.855	H-neg, V-pos	1664

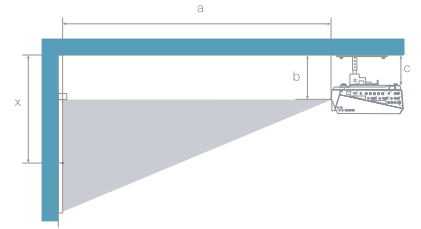
Preset signal Nos. 1-2, 21-25, 27-31, 33-35, 38-40, 46, 48-49, and 56 are analogue only.
Preset signal Nos. 12 and 13 are digital only.
Images may not be reproduced correctly when signals other than those listed above are input.
Contact your local Sony sales office for more information regarding signals not listed.

Installation Diagrams

Using the VPL-FE40 or VPL-FX40 with supplied lens



- a Distance between the screen and the centre of the lens
- b Distance between the floor and the centre of the lens
- c Distance between the floor and the foot of the projector
- x Distance between the floor and the centre of the screen (free)



- a Distance between the screen and the centre of the lens
- b Distance between the ceiling and the centre of the lens
- c Distance between the ceiling and the surface of the suspension support (PSS-610 recommended)
[using adjustment pipe (b): 150, 175, 200 mm (6, 7, 7 7/8 inches)]
[using adjustment pipe (c): 250, 275, 300 mm (9 7/8, 10 7/8, 11 7/8 inches)]
- x Distance between the ceiling and the centre of the screen (free)

Floor installation

Screen size*		40	60	80	100	120	150	180	200	250	300	400	500	600
a	min	mm 1480 (inches) (58 3/4)	2260 (89)	3030 (119 5/8)	3810 (150 1/4)	4580 (180 3/4)	5740 (226 1/4)	6900 (271 3/4)	7680 (302 1/2)	9610 (378 1/2)	11550 (454 7/8)	15420 (607 1/4)	19290 (759 5/8)	23160 (912)
	max	mm 1900 (inches) (74 7/8)	2880 (113 1/2)	3860 (152)	4840 (190 5/8)	5820 (229 1/4)	7290 (287 1/4)	8760 (345)	9740 (383 3/8)	12190 (480)	14640 (576 1/2)	19540 (769 1/2)	24440 (962 3/8)	29350 (1155 3/8)
b	min	mm x-305 (inches) (x-12)	x-457 (x-18)	x-610 (x-24)	x-762 (x-30)	x-914 (x-36)	x-1143 (x-45)	x-1372 (x-54)	x-1524 (x-60)	x-1905 (x-75 1/2)	x-2286 (x-90 1/4)	x-3048 (x-120 1/4)	x-3810 (x-150 1/4)	x-4572 (x-180 1/4)
	max	x	x	x	x	x	x	x	x	x	x	x	x	x
c	min	mm x-392 (inches) (x-15 1/2)	x-545 (x-21 1/2)	x-697 (x-27 1/2)	x-850 (x-33 1/2)	x-1002 (x-39 1/2)	x-1231 (x-48 1/2)	x-1459 (x-57 1/2)	x-1612 (x-63 1/2)	x-1993 (x-78 1/2)	x-2374 (x-93 1/2)	x-3136 (x-123 1/2)	x-3898 (x-153 1/2)	x-4660 (x-183 1/2)
	max	mm x-88 (inches) (x-3 1/2)	x-88 (x-3 1/2)	x-88 (x-3 1/2)	x-88 (x-3 1/2)	x-88 (x-3 1/2)	x-88 (x-3 1/2)	x-88 (x-3 1/2)	x-88 (x-3 1/2)	x-88 (x-3 1/2)	x-88 (x-3 1/2)	x-88 (x-3 1/2)	x-88 (x-3 1/2)	x-88 (x-3 1/2)

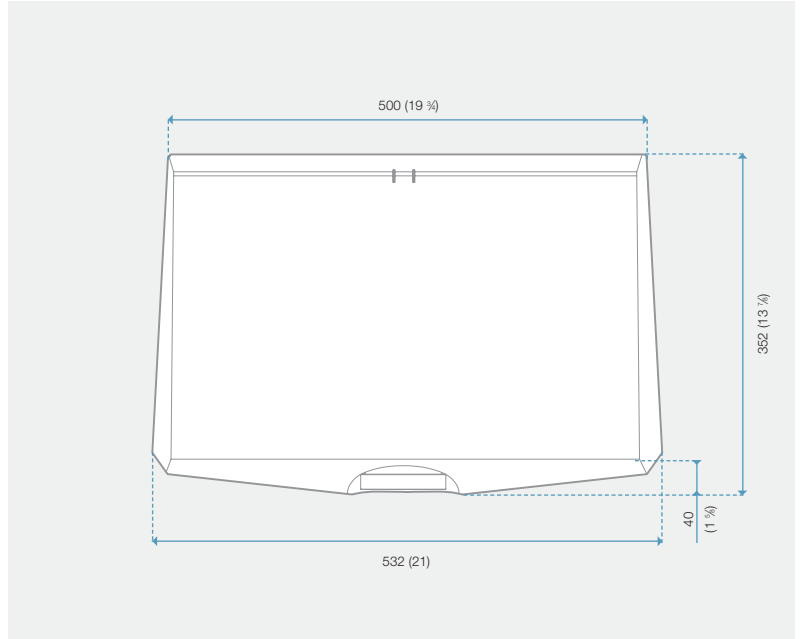
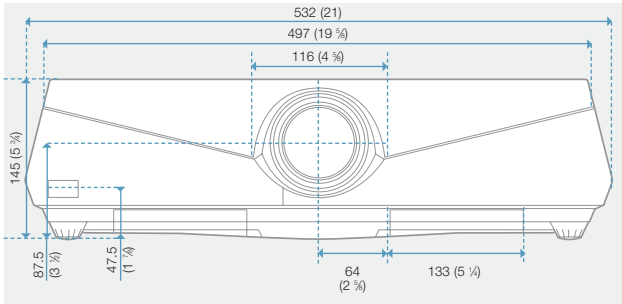
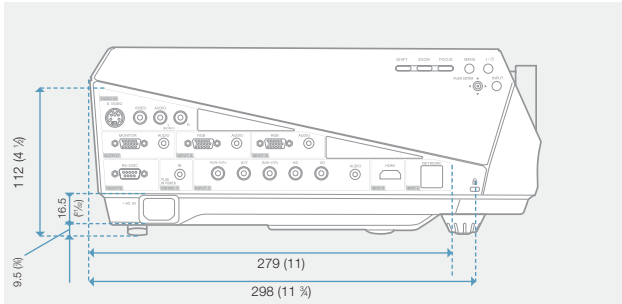
Ceiling mounted installation

Screen size*		40	60	80	100	120	150	180	200	250	300	400	500	600
a	min	mm 1480 (inches) (58 3/4)	2260 (89)	3030 (119 5/8)	3810 (150 1/4)	4580 (180 3/4)	5740 (226 1/4)	6900 (271 3/4)	7680 (302 1/2)	9610 (378 1/2)	11550 (454 7/8)	15420 (607 1/4)	19290 (759 5/8)	23160 (912)
	max	mm 1900 (inches) (74 7/8)	2880 (113 1/2)	3860 (152)	4840 (190 5/8)	5820 (229 1/4)	7290 (287 1/4)	8760 (345)	9740 (383 3/8)	12190 (480)	14640 (576 1/2)	19540 (769 1/2)	24440 (962 3/8)	29350 (1155 3/8)
b	min	mm c+85 (inches) (c+3 3/8)	c+85 (c+3 3/8)	c+85 (c+3 3/8)	c+85 (c+3 3/8)	c+85 (c+3 3/8)	c+85 (c+3 3/8)	c+85 (c+3 3/8)	c+85 (c+3 3/8)	c+85 (c+3 3/8)	c+85 (c+3 3/8)	c+85 (c+3 3/8)	c+85 (c+3 3/8)	c+85 (c+3 3/8)
	max	mm c+91 (inches) (c+3 5/8)	c+91 (c+3 5/8)	c+91 (c+3 5/8)	c+91 (c+3 5/8)	c+91 (c+3 5/8)	c+91 (c+3 5/8)	c+91 (c+3 5/8)	c+91 (c+3 5/8)	c+91 (c+3 5/8)	c+91 (c+3 5/8)	c+91 (c+3 5/8)	c+91 (c+3 5/8)	c+91 (c+3 5/8)
x	min	mm c+85 (inches) (c+3 3/8)	c+85 (c+3 3/8)	c+85 (c+3 3/8)	c+85 (c+3 3/8)	c+85 (c+3 3/8)	c+85 (c+3 3/8)	c+85 (c+3 3/8)	c+85 (c+3 3/8)	c+85 (c+3 3/8)	c+85 (c+3 3/8)	c+85 (c+3 3/8)	c+85 (c+3 3/8)	c+85 (c+3 3/8)
	max	mm c+390 (inches) (c+15 3/8)	c+542 (c+21 3/8)	c+695 (c+27 3/8)	c+847 (c+33 3/8)	c+999 (c+39 3/8)	c+1228 (c+48 3/8)	c+1457 (c+57 3/8)	c+1609 (c+63 3/8)	c+1990 (c+78 3/8)	c+2371 (c+93 3/8)	c+3133 (c+123 3/8)	c+3895 (c+153 3/8)	c+4657 (c+183 3/8)

For both floor and ceiling mount installations, images can be shifted horizontally by +/- 10 percent of the screen width.
* Viewable area, measured diagonally.

Dimensions

Unit: mm (inches)



Specifications

Optical

Projection system

- 3 LCD panels
- 1 lens projection system

Lamp

275W ultra high pressure lamp

Light output

- 4000 ANSI lumens (lamp mode high)
- 3200 ANSI lumens (lamp mode standard)

LCD panel

VPL-FE40

>0.79-inch SXGA+ panel / 4,410,000 (1400 x 1050 x 3) pixels

VPL-FE40L

>0.79-inch SXGA+ panel / 4,410,000 (1400 x 1050 x 3) pixels

VPL-FX40

>0.79-inch XGA panel / 2,359,296 (1024 x 768 x 3) pixels

VPL-FX40L

>0.79-inch XGA panel / 2,359,296 (1024 x 768 x 3) pixels

Projection lens

VPL-FE40

>1.3 times power zoom lens
>f30.6 to 39.7 mm, F1.66 to 2.18

VPL-FE40L

>Lens is optional

VPL-FX40

>1.3 times power zoom lens
>f30.6 to 39.7 mm, F1.66 to 2.18

VPL-FX40L

>Lens is optional

Screen coverage

VPL-FE40

>40 to 600 inches

VPL-FE40L

>40 to 600 inches
(with VPLL-Z1024 or VPLL-Z1032)
>60 to 300 inches (with VPLL-1008)

VPL-FX40

>40 to 600 inches

VPL-FX40L

>40 to 600 inches
(with VPLL-Z1024 or VPLL-Z1032),
>60 to 300 inches (with VPLL-1008)

Signals

Colour system

NTSC3.58 / PAL / SECAM / NTSC4.43 / PAL-M / PAL-N / PAL60 (automatically/manually selected)

Acceptable computer signals

fH:19 to 92KHz / fV:48 to 92Hz
(Up to UXGA (fV 60Hz))

Acceptable video signals

15k RGB 50/60Hz / Progressive Component
50/60Hz / DTV (480/60i / 575/50i / 480/60p / 575/50p / 720/60p / 720/50p / 1080/60i / 1080/50i / 1080/60p / 1080/50p) / Composite Video / Y/C Video

Resolution

VPL-FE40

>Video: 750 TV lines / RGB:1400 x 1050 pixels

VPL-FE40L

>Video: 750 TV lines / RGB:1400 x 1050 pixels

VPL-FX40

>Video: 750 TV lines / RGB:1024 x 768 pixels

VPL-FX40L

>Video: 750 TV lines / RGB:1024 x 768 pixels

Speakers

1.8 W x 2 (Stereo)

General

Dimensions

(W x H x D) 532 x 145 x 352 mm
(21 x 5 3/4 x 13 3/4 inches)

Power requirements

AC 100 to 240 V, 4.1-1.7 A, 50/60 Hz

Power consumption

Max. 400 W, Standby 15 W

Standby (low) 0.5 W

Heat dissipation

1365 BTU

Operating temperature

0 to 35 °C (32 to 95 °F)

Operating humidity

35 to 85% (no condensation)

Storage temperature

-20 to 60 °C (-4 to 140 °F)

Storage humidity

10 to 90%

Mass Approx.

VPL-FE40

> 9.8 kg (21 lbs 10 oz)

VPL-FE40L

>Approx. 9.0 kg (19 lbs 13 oz)

VPL-FX40

> Approx. 9.8 kg (21 lbs 10 oz)

VPL-FX40L

>Approx. 9.0 kg (19 lbs 13 oz)

Inputs/Outputs

VIDEO IN

Video: Composite Video (RCA phono jack)

S Video: Y/C Mini DIN 4-pin

Audio: Stereo (RCA phono jack x2)

INPUT A

Analogue RGB: HD D-sub 15-pin (female)

Audio: Stereo mini jack

INPUT B

Analogue RGB: HD D-sub 15-pin (female)

Audio: Stereo mini jack

INPUT C

Analogue RGB/component: BNC x5 (female)

Audio: Stereo mini jack

INPUT D

Digital RGB/Audio: HDMI (HDCP)

INPUT E

Network: RJ45 100BASE-TX/10BASE-T

OUTPUT

Monitor out: HD D-sub 15pin

Audio: Stereo mini jack (variable out)

REMOTE

RS-232C: D-sub 9 pin (female)

Control S IN

Stereo: mini jack (plug-in-power)

Supplied accessories

Remote Commander Unit

Size AA (R6) batteries (x2)

AC power cord

Operating Instructions and Application Software

(CD-ROM)

Quick Reference Manual

Safety Regulations

Security Label

Warranty Card

Lens cap (VPL-FE40 & VPL-FX40)

Lens hole cover (VPL-FE40L & VPL-FX40L)

* viewable area measured diagonally

SONY

www.sonybiz.net/projectors

© 2007 Sony Corporation. All rights reserved.
Features and specifications are subject to change without notice. All non-metric weights and measures are approximate. Sony, BrightEra, Ziris and Remote Commander are trademarks of Sony Corporation. HDMI, the HDMI logo and High-Definition Multimedia Interface are trademarks or registered trademarks of HDMI Licensing LLC. All other trademarks are the property of their respective owners.

